

FENDER "VIBROVERB-AMP" SCHEMATIC

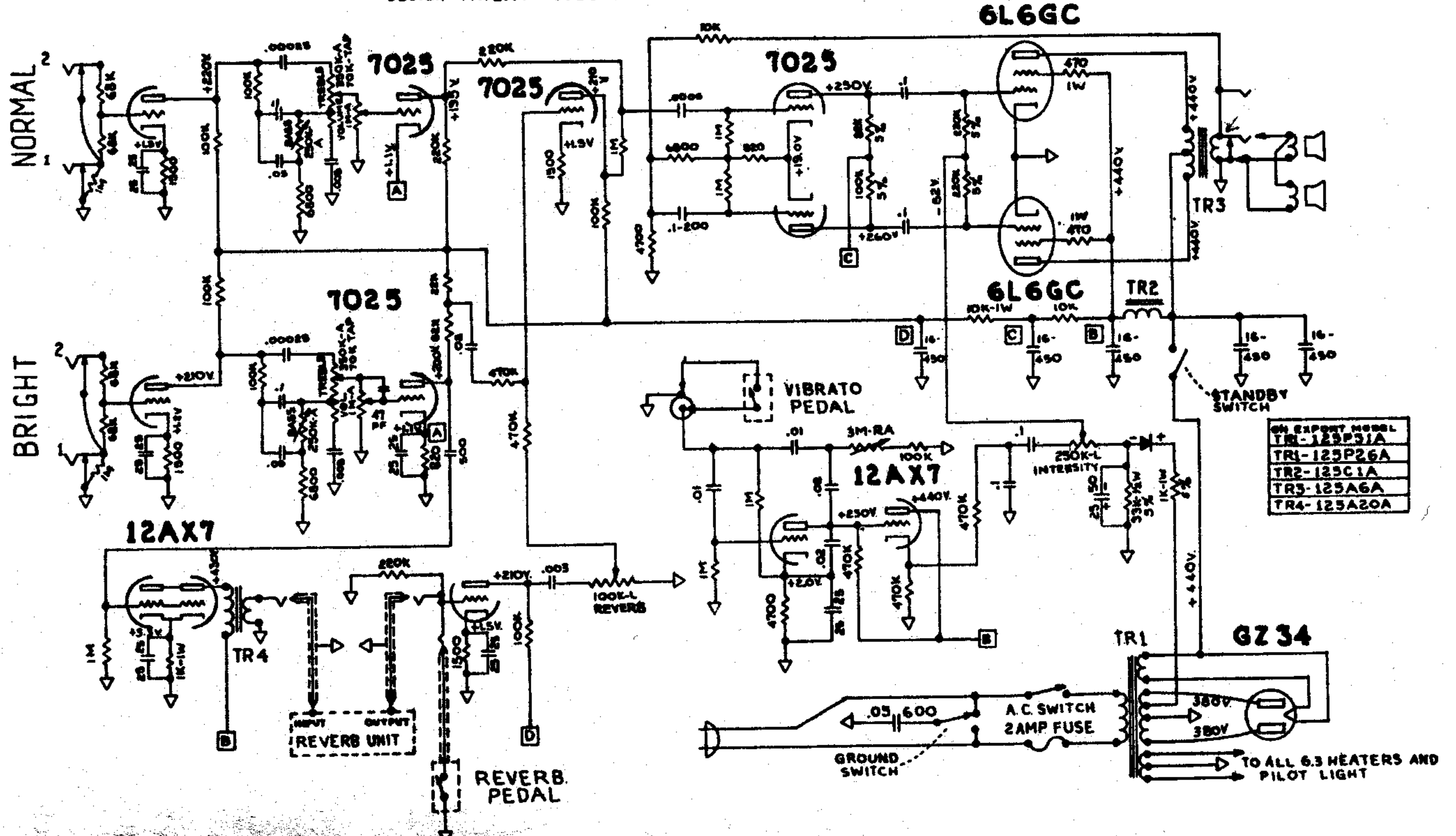
MODEL 6G16

D-FC

THIS PRODUCT MANUFACTURED UNDER ONE OR MORE OF THE FOLLOWING U.S. PATENTS -
 CIRCUIT PATENT # 2817708, #2973681
 DESIGN PATENT # 192899

NOTICE

- 1 - VOLTAGES READ TO GROUND WITH ELECTRONIC VOLTMETER. VALUES SHOWN \pm OR - 20%
- 2 - ALL RESISTORS $\frac{1}{2}$ WATT, 10% TOLERANCE IF NOT SPECIFIED.
- 3 - ALL CAPACITORS AT LEAST 400 VOLT RATING IF NOT SPECIFIED.



| |
|-----------------|
| ON EXPORT MODEL |
| TR1-125P31A |
| TR2-125C1A |
| TR3-125A6A |
| TR4-125A20A |

NORMAL

BRIGHT

6L6GC

7025

7025

7025

7025

6L6GC

12AX7

12AX7

6Z34

REVERB UNIT

REVERB PEDAL

VIBRATO PEDAL

STANDBY SWITCH

A.C. SWITCH
2AMP FUSE

GROUND SWITCH

TO ALL 6.3 HEATERS AND PILOT LIGHT