

## FENDER '63 VIBROVERB

0217200 (120V)  
 0217240 (220V)  
 0217250 (220V)  
 0217270 (100V)

PARTS LIST PAGE 1 OF 5

## \*\*\* PCB ASSEMBLY \*\*\*

| QTY | PART #     | DESCRIPTION               | REFERENCE DESIGNATION |
|-----|------------|---------------------------|-----------------------|
| 1   | 036989     | PCB FABRICATION           | PC1 (BLANK)           |
| 1   | 036990     | PCB ASSEMBLY (120V)       | PCB1 (STUFFED)        |
| 1   | 037241     | PCB ASSEMBLY (220/240V)   | PCB1 (STUFFED)        |
| 1   | 037242     | PCB ASSEMBLY (100V)       | PCB1 (STUFFED)        |
| 4   | 9905301010 | BARREL TERMINAL           | BT1-4                 |
| 1   | 018764     | CAP 125VAC .01 10         | C39 (103KACDVL113)    |
| 1   | 024820     | CAPAE 350V 47uF 20        | C38                   |
| 5   | 024819     | CAPAE 500V 22uF 20        | C31-35                |
| 1   | 020909     | CAPCD 1KV 47pF 10%        | C11                   |
| 1   | 069724     | CAPCD 1KV 100pF 10%       | C20                   |
| 2   | 020867     | CAPCD 1KV 330pF 10%       | C2,7                  |
| 2   | 020842     | CAPCD 1KV 500pF 10%       | C13,18                |
| 6   | 028465     | CAPRE 25V 22uF 20         | C1,6,12,14,15,25      |
| 1   | 036954     | CAPRE 63V 22uF 20         | C30                   |
| 1   | 031040     | CAPRE 100V 100uF 20       | C36                   |
| 1   | 024853     | CAPRF 250V .1 10          | C19                   |
| 1   | 024833     | CAPRF 400V .022 10        | C17                   |
| 2   | 024839     | CAPRF 400V .033 10        | C23,24                |
| 2   | 024845     | CAPRF 400V .047 10        | C4,9                  |
| 2   | 024849     | CAPRF 400V .068 10        | C26,27                |
| 4   | 024854     | CAPRF 400V .1 10          | C3,8,28,29            |
| 1   | 037040     | CAPRF 400V.0033 10        | C16                   |
| 2   | 026204     | CAPRF 600V.0068 10        | C5,10                 |
| 2   | 024855     | CAPRF 630V .1 10          | C21,22                |
| 1   | 036963     | CTRL, 1M,10%C             | R54 (SPEED)           |
| 2   | 036966     | CTRL, 1M,20%A             | R10,21 (VOLUME)       |
| 1   | 036964     | CTRL, 100K, B             | R30 (REVERB)          |
| 1   | 036962     | CTRL, 250K, B             | R57 (INTENSITY)       |
| 2   | 036965     | CTRL, 250K, 10A           | R7,18 (BASS)          |
| 2   | 036967     | CTRL, 250K, 20AM          | R9,20 (TREBLE)        |
| 1   | 064089     | DIODE, 200PRV, 1A, 1N4003 | CR5                   |
| 4   | 026730     | DIODE, 800PRV, 1A, 1N5062 | CR1-4                 |
| 14  | 026000     | FASTON TAB, .187          | CP15-26,37,38         |
| 16  | 025802     | FASTON TAB, .250          | CP1-14,35,36          |
| 1   | 022547     | FUSE CARRIER              | FX1 (100/120V)        |
| 1   | 022548     | FUSE CARRIER              | FX1 (220/240V)        |
| 1   | 022546     | FUSE HLDR, PCB MOUNT      | XF1                   |

## FENDER '63 VIBROVERB

PARTS LIST PAGE 2 OF 5

## \*\*\* PCB ASSEMBLY (CONTINUED) \*\*\*

| QTY | PART # | DESCRIPTION                | REFERENCE DESIGNATION |
|-----|--------|----------------------------|-----------------------|
| 1   | 077982 | FUSE, 3A                   | F1 (100/120V)         |
| 1   | 039982 | FUSE, 4A                   | F2 (100/120V)         |
| 1   | 013114 | FUSE, 1.6AT                | F1 (220/240V)         |
| 1   | 013115 | FUSE, 2AT                  | F2 (220/240V)         |
| 1   | 013109 | FUSE, 250mAT               | F3 (220/240V)         |
| 1   | 013112 | FUSE, 1AT                  | F4 (220/240V)         |
| 1   | 013681 | FUSE, 5AT                  | F5 (220/240V)         |
| 1   | 025996 | FUSE CLIP,PCB DUAL (2 PCS) | XF2                   |
| 3   | 020775 | FUSE CLIP,PCB DUAL (2 PCS) | XF3-5 (220/240V)      |
| 4   | 037117 | PHONEJK,MONO,CLCKT         | J1-4 (INPUT)          |
| 1   | 027347 | RESCF 1W 2.2K 5%           | R26                   |
| 1   | 036621 | RESCF 1W 6.8K 5%           | R37                   |
| 1   | 027871 | RESCF 1/2W 1K 5%           | R58                   |
| 1   | 025832 | RESCF 1/2W 22K 5%          | R22                   |
| 1   | 036956 | RESCF 1/2W 33K 5%          | R59                   |
| 2   | 025109 | RESCF 1/2W 47ohm5%         | R62,63                |
| 1   | 028857 | RESCF 1/2W 68K 5%          | R64                   |
| 2   | 025115 | RESCF 1/2W 82K 5%          | R23,43                |
| 6   | 025116 | RESCF 1/2W 100K 5%         | R4,15,29,34,44,55     |
| 1   | 025117 | RESCF 1/2W 220K 5%         | R11                   |
| 1   | 036957 | RESCF 1/2W 470K 5%         | R51                   |
| 6   | 025069 | RESCF 1/4W 1M 5%           | R3,14,25,36,38,40     |
| 1   | 024981 | RESCF 1/4W 10K 5%          | R41                   |
| 1   | 024987 | RESCF 1/4W 22K 5%          | R56                   |
| 1   | 028865 | RESCF 1/4W 30K 5%          | R53                   |
| 4   | 024995 | RESCF 1/4W 68K 5%          | R1,2,12,13            |
| 1   | 024996 | RESCF 1/4W 82K 5%          | R65                   |
| 4   | 024969 | RESCF 1/4W 1.5K 5%         | R5,16,28,33           |
| 2   | 024997 | RESCF 1/4W 100K 5%         | R6,17                 |
| 4   | 025059 | RESCF 1/4W 220K 5%         | R27,35,45,46          |
| 2   | 028016 | RESCF 1/4W 300K 5%         | R49,50                |
| 1   | 025063 | RESCF 1/4W 390K 5%         | R31                   |
| 1   | 024977 | RESCF 1/4W 4.7K 5%         | R52                   |
| 1   | 025065 | RESCF 1/4W 470K 5%         | R32                   |
| 1   | 024961 | RESCF 1/4W 470ohm5%        | R42                   |
| 2   | 024979 | RESCF 1/4W 6.8K 5%         | R8,19                 |
| 2   | 024964 | RESCF 1/4W 820ohm5%        | R24,39                |
| 2   | 036470 | RESFP 1W 10K 5%            | R60,61                |
| 2   | 036468 | RESFP 1W 470ohm 5%         | R47,48                |
| 1   | 028503 | THERMISTOR, NTC            | TH1                   |
| 1   | 037243 | WIRE SET                   | WS1                   |

## FENDER '63 VIBROVERB

PARTS LIST PAGE 3 OF 5

## \*\*\* CHASSIS ASSEMBLY \*\*\*

| QTY | PART # | DESCRIPTION               | REFERENCE DESIGNATION  |
|-----|--------|---------------------------|------------------------|
| 1   | 037216 | CHASSIS ASS'Y COMPLETE    | CH1 (120V)             |
| 1   | 037217 | CHASSIS ASS'Y COMPLETE    | CH1 (240V)             |
| 1   | 037218 | CHASSIS ASS'Y COMPLETE    | CH1 (220V)             |
| 1   | 037219 | CHASSIS ASS'Y COMPLETE    | CH1 (100V)             |
| 1   | 036993 | CHASSIS FABRICATED BLANK  | CS1                    |
| 1   | 026038 | BUSHING STRAIN RELIEF     | SR1 (AT POWER CABLE)   |
| 1   | 026116 | BUSHING STRAIN RELIEF     | SR2 (AT REVERB CABLE)  |
| 7   | 018022 | BUSHING SNAP              | SR3-9                  |
| 1   | 026541 | CABLE ASS'Y POWER         | LC1 (100/120V)         |
| 1   | 033331 | CABLE ASS'Y POWER         | LC1 (220/240V)         |
| 1   | 028577 | CABLE ASS'Y REVERB        | RC1                    |
| 2   | 022491 | CABLE CLAMP               | CM1,2                  |
| 1   | 036486 | CHOKE, 1500, 90mA         | L1                     |
| 1   | 032219 | COLLAR                    | CL1                    |
| 1   | 037300 | COVER, CAPACITOR          | CC1                    |
| 9   | 036678 | KNOB, BROWN               | K1-9                   |
| 1   | 021642 | LAMP, T47                 | LA1                    |
| 1   | 036595 | LENS, JEWEL               | JL1                    |
| 3   | 016352 | NUT, HEX 3/8-32 NI        | NT1-3 (AT REAR JACKS)  |
| 9   | 022004 | NUT, KEPS 8-32            | NT4-12 (PWR & OUT XF)  |
| 1   | 031625 | NUT, HEX                  | NT13 (AT LAMP HOLDER)  |
| 1   | 021550 | PHONEJK, MONO, CLCKT      | J6 (SPEAKER)           |
| 1   | 021956 | PHONEJK, MONO, OPCKT      | J7 (EXT. SPEAKER)      |
| 1   | 013043 | PHONEJK, STEREO           | J5 (FOOTSWITCH)        |
| 1   | 036759 | PLATE, FRONT              | FP1                    |
| 1   | 036760 | PLATE, REAR               | RP1                    |
| 15  | 028937 | SCREW TF 6-32x5/8 PHP ZI  | SC1-15 (PCB MTG)       |
| 4   | 026314 | SCREW SMB 6x3/16 PHP NI   | SC16-19 (CAP CVR MTG)  |
| 21  | 029913 | SCREW TF 6-32x3/16 PHP ZI | SC20-40 (TUBE SKTS)    |
| 4   | 026553 | SCREW M 8-32x3/8 PHP BLX  | SC41-44 (OUTPUT XFMR)  |
| 1   | 032806 | SCREW TF 6-32x1/4 PHP BLX | SC45 (REAR PLATE MTG)  |
| 2   | 037239 | SCREW TF 8-32x3/8 PHP BLX | SC46,47 (CBLE CLAMPS)  |
| 15  | 025936 | STAND-OFF 3/8             | S01-15                 |
| 1   | 036570 | SWITCH, DPST, PWR         | S1 (ON/OFF SWITCH)     |
| 1   | 036571 | SWITCH, SPDT, PWR         | S2 (GROUND SWITCH)     |
| 1   | 037093 | SWITCH, SPST, PWR         | S3 (STANDBY SWITCH)    |
| 2   | 031091 | TUBE CLAMP                | TC1,2                  |
| 5   | 013341 | TUBE, MINI DUAL TRIODE    | V1,2,4-6 (12AX7A/7025) |
| 1   | 023531 | TUBE, MINI DUAL TRIODE    | V3 (12AT7 REVRB DRVR)  |
| 2   | 023556 | TUBE, BEAM POWER OUTPUT   | V7,8 (6L6GC OUTPUT)    |
| 6   | 023606 | TUBE SOCKET, 9 PIN        | VK1-6                  |
| 2   | 023580 | TUBE SOCKET, OCTAL        | VK7,8                  |
| 3   | 031153 | WASHER FW .378x.614x.021  | WW1-3 (REAR JACKS)     |
| 3   | 016436 | WASHER LWI #3/8           | WW4-6 (AT JACKS)       |

## FENDER '63 VIBROVERB

PARTS LIST PAGE 4 OF 5

## \*\*\* CHASSIS ASSEMBLY (CONTINUED) \*\*\*

| QTY | PART # | DESCRIPTION           | REFERENCE DESIGNATION |
|-----|--------|-----------------------|-----------------------|
| 1   | 037214 | WIRE SET              | WS2                   |
| 1   | 036968 | XFMR, OUTPUT          | T3                    |
| 1   | 036958 | XFMR, POWER, DOMESTIC | T1 (120V)             |
| 1   | 036959 | XFMR, POWER, EXPORT   | T1 (100V/220V/240V)   |
| 1   | 037099 | XFMR, RVRB DRVR       | T2                    |

## \*\*\* CABINET ASSEMBLY \*\*\*

| QTY | PART # | DESCRIPTION                | REFERENCE DESIGNATION |
|-----|--------|----------------------------|-----------------------|
| 1   | 036900 | CABINET ASS'Y COMPLETE     | CB1                   |
| 1   | 036902 | BACK ASS'Y, UPPER          | UB1                   |
| 1   | 036903 | BACK ASS'Y LOWER           | LB1                   |
| 4   | 024695 | CORNER NICKEL              | CN1-4                 |
| 1   | 027648 | FOIL TAPE                  | FT1                   |
| 4   | 024653 | GLIDE                      | CG1-4                 |
| 4   | 022483 | GLIDE INSERT               | GL1-4                 |
| 1   | 037121 | HANDLE                     | HD1                   |
| 2   | 025395 | HANDLE CAP                 | HC1,2                 |
| 1   | 032524 | HANDLE INSERT              | HA1                   |
| 1   | 036901 | GRILLE BAFFLE ASS'Y        | GB1                   |
| 1   | 036797 | GRILLE CLOTH TAN/BROWN     | GC1                   |
| 8   | 022103 | SCREW SM 8x3/4 OH          | SC48-55 (CORNER MTG)  |
| 4   | 026625 | SCREW WOOD 8x1 FH          | SC56-59 (GLIDE MTG)   |
| 4   | 022244 | SCREW M 10-32x1-1/8 OHP NI | SC60-63 (HANDLE MTG)  |
| 2   | 021972 | TEE NUT 10-32              | TN1-4 (HANDLE MTG)    |
| 8   | 021972 | TEE NUT 10-32              | TN5-12 (SPEAKER MTG)  |
| 1   | 036796 | VINYL, BROWN               | VY1                   |

## \*\*\* REVERB/VIBRATO FOOTSWITCH ASSEMBLY \*\*\*

| QTY | PART # | DESCRIPTION                | REFERENCE DESIGNATION |
|-----|--------|----------------------------|-----------------------|
| 1   | 037211 | FOOTSWITCH ASS'Y, COMPLETE | FT1                   |
| 1   | 021691 | BUSHING, STRAIN RELIEF     | SF1                   |
| 1   | 022665 | COVER, BOTTOM              | CV1                   |
| 1   | 024638 | CUP, FOOTSWITCH            | CZ1                   |
| 1   | 016063 | DECAL, REV/VIB             | DC1                   |
| 1   | 013172 | PLUG, 3-COND. RT. ANGLE    | PG1                   |
| 2   | 024042 | SWITCH, STOMP, SPST        | S4,5                  |
| 4   | 022012 | NUT, HEX                   | NT14-17               |
| 2   | 022293 | WASHER, FLAT               | WW7,8                 |
| 1   | 037245 | WIRE SET                   | WS3                   |

## FENDER '63 VIBROVERB

PARTS LIST PAGE 5 OF 5

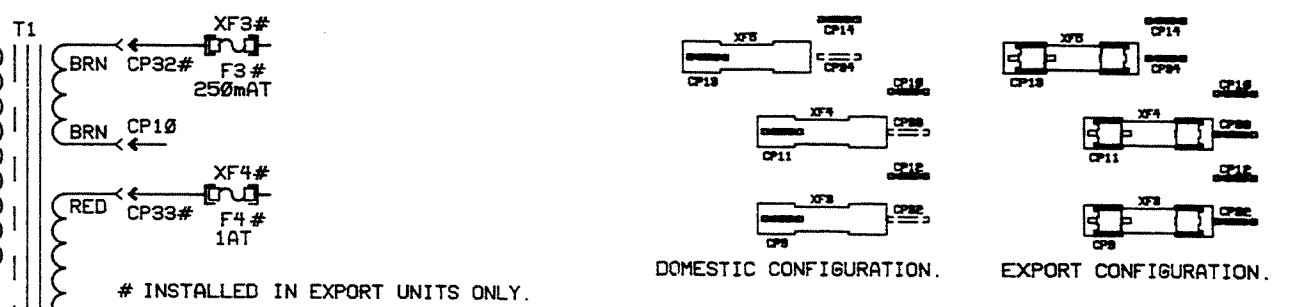
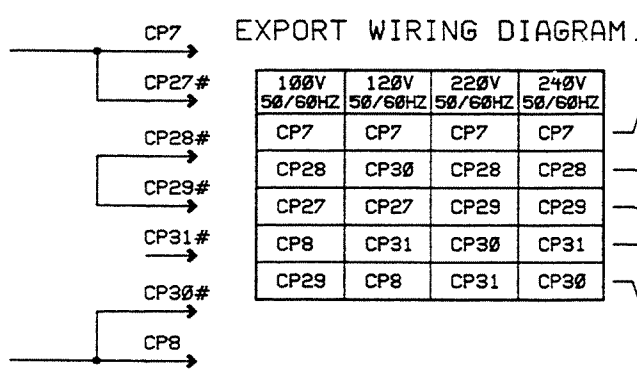
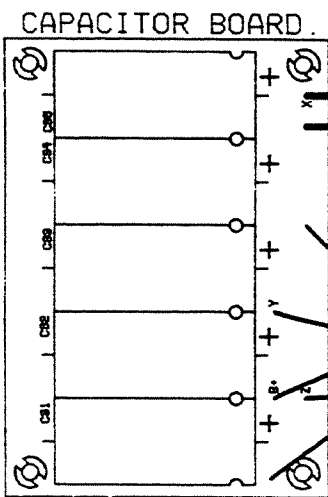
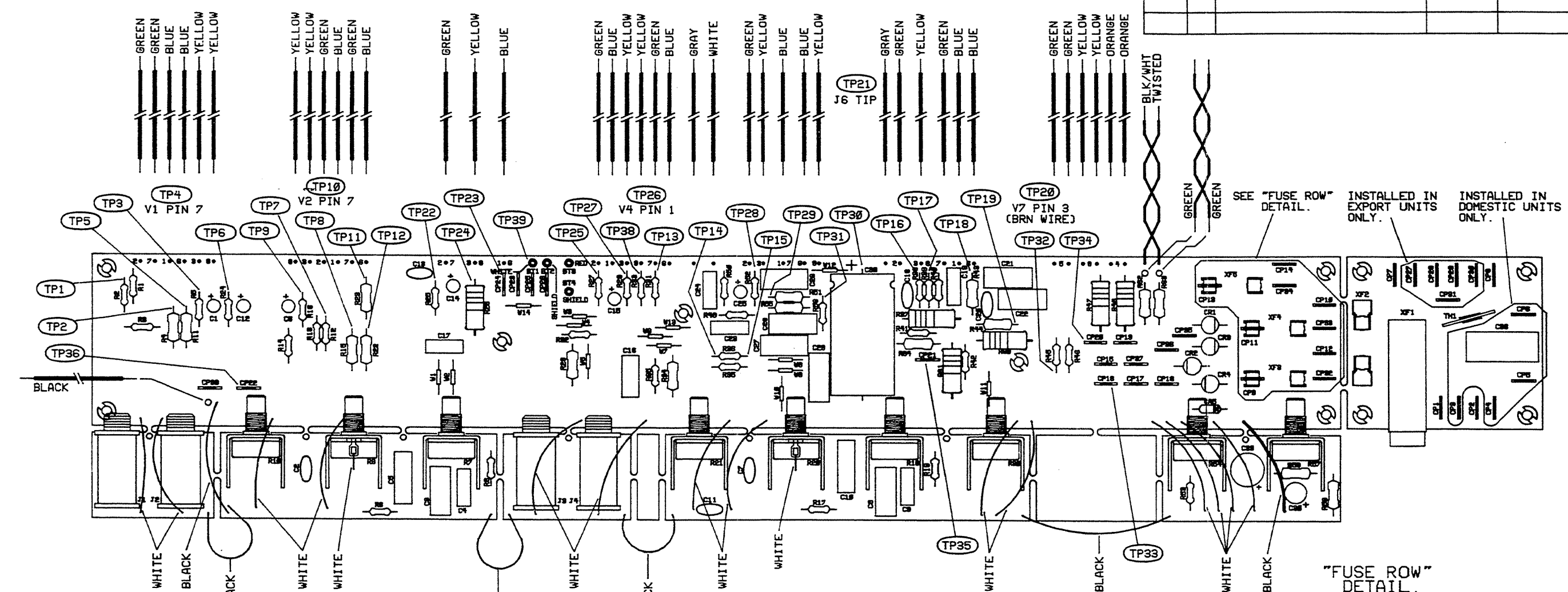
## \*\*\* MISCELLANEOUS \*\*\*

| QTY | PART #     | DESCRIPTION               | REFERENCE DESIGNATION |
|-----|------------|---------------------------|-----------------------|
| 2   | 022491     | CABLE CLAMP               | CM1,2                 |
| 1   | 9906900590 | CABLE CLAMP NYL ADHESIVE  | CM3                   |
| 2   | 024745     | CHASSIS STRAP 4" NI       | CJ1,2                 |
| 2   | 024828     | LEG, TILT BACK            | TL1,2                 |
| 2   | 024646     | LEG STOP                  | LS1,2                 |
| 1   | 036795     | NAMEPLATE FENDER          | NP1                   |
| 2   | 021998     | NUT HEX LOCK 10-32        | NT18-19 (TILT LEGS)   |
| 1   | 028453     | REVERB PAD, CARDBOARD     | RP1                   |
| 1   | 031849     | REVERB SPRING UNIT BAG    | RB1                   |
| 1   | 064063     | REVERB UNIT 4-SPRING      | RR1                   |
| 8   | 016188     | SCREW SMA 6x1 OH PHS      | SC64-71 (BACK MTG)    |
| 4   | 022236     | SCREW M 8-32x3-1/4 OH PHS | SC72-75 (CHASS STRAP) |
| 7   | 029828     | SCREW PB 8x3/4 PH PHS     | SC76-82 (REV/CHS/CLP) |
| 8   | 026577     | SCREW M 10-32x1 PH PHS    | SC83-90 (SPEAKER MTG) |
| 2   | 022277     | SCREW M 10-32x1-1/2 OH    | SC91,92 (LEG MTG)     |
| 2   | 031344     | SCREW SMD 10x7/8 OH PHS   | SC93,94 (LEG STOP)    |
| 4   | 037210     | SCREW SMA 2x3/8 OH PHS    | SC95-98 (NAMEPLATE)   |
| 4   | 011678     | SCREW SMA 8x1-1/2 OH PHS  | SC99-102 (BAFFLE MTG) |
| 2   | 037076     | SPEAKER 10" 8 OHM         | SP1,2                 |
| 1   | 037212     | TUBE LOCATION CHART       | TU1                   |
| 6   | 023598     | TUBE SHIELD               | VS1-6                 |
| 6   | 022319     | WASHER FLAT               | WW9-14 (AT TILT LEGS) |
| 2   | 022285     | WASHER SPLIT              | WW15,16 (TILT LEGS)   |
| 8   | 037215     | WASHER FINISH #6 C'SINK   | WW17-24 (BACK MTG)    |
| 1   | 037213     | WIRE SET, FINAL           | WS4                   |

## \*\*\* DOCUMENTATION \*\*\*

| QTY | PART # | DESCRIPTION             | REFERENCE DESIGNATION |
|-----|--------|-------------------------|-----------------------|
| 1   | 037307 | OWNERS MANUAL           | OM1                   |
| 1   | 036992 | SCHEMATIC/SRVC DIAGRAMS | SM1                   |
| 1   | 013736 | WARRANTY SHEET          | WM1                   |

| REVISIONS |      |                |        |          |
|-----------|------|----------------|--------|----------|
| ZONE      | REV. | DESCRIPTION    | DATE   | APPROVED |
|           | A    | RELEASED PRI61 | 8/8/90 | MDW      |
|           |      |                |        |          |



NOTES: 1) PCB SHOWN AS FABRICATED, EXCEPT WITH CAPACITOR BREAK-AWAY BOARD SEPARATED.

|                            |              |
|----------------------------|--------------|
| FILM/DWG: SERVICE DIAGRAM  | DATE: 8/1/90 |
| DATABASE: 63VRBP.DBF       | DATE: 8/1/90 |
| LAYERS PLOTTED: 1 2 3 4 15 | 10 19        |

ALTERNATE POWER TRANSFORMER P/N 036959

DATABASE FILE: 63VRBSE.DBF  
 CHECKED BY: *Wilkens*  
 DATE: 8/15/90  
 APPROVED: *Wilkens*  
 DATE: 2/15/90  
 TOLERANCES: UNLESS OTHERWISE NOTED  
 X.X ±0.050"  
 X.XX ±0.010"  
 X.XXX ±0.005"  
 ANGLES ±0.500°

PROPRIETARY  
 THIS DRAWING DOCUMENT CONTAINS INFORMATION WHICH IS PROPRIETARY TO AND IS THE PROPERTY OF THE FENDER MUSICAL INSTRUMENTS CO. AND MAY NOT BE USED, REPRODUCED OR DISCLOSED IN ANY MANNER WITHOUT THE EXPRESSED WRITTEN CONSENT FROM:  
 FENDER MUSICAL INSTRUMENTS CO.  
 1128 COLUMBIA ST.  
 BREA, CALIFORNIA 92621  
 TUBES: SLOW-FETS FROM HELL.  
 NEXT HIGHER ASSEMBLY:  
 63 VIBROVERB AMPLIFIER

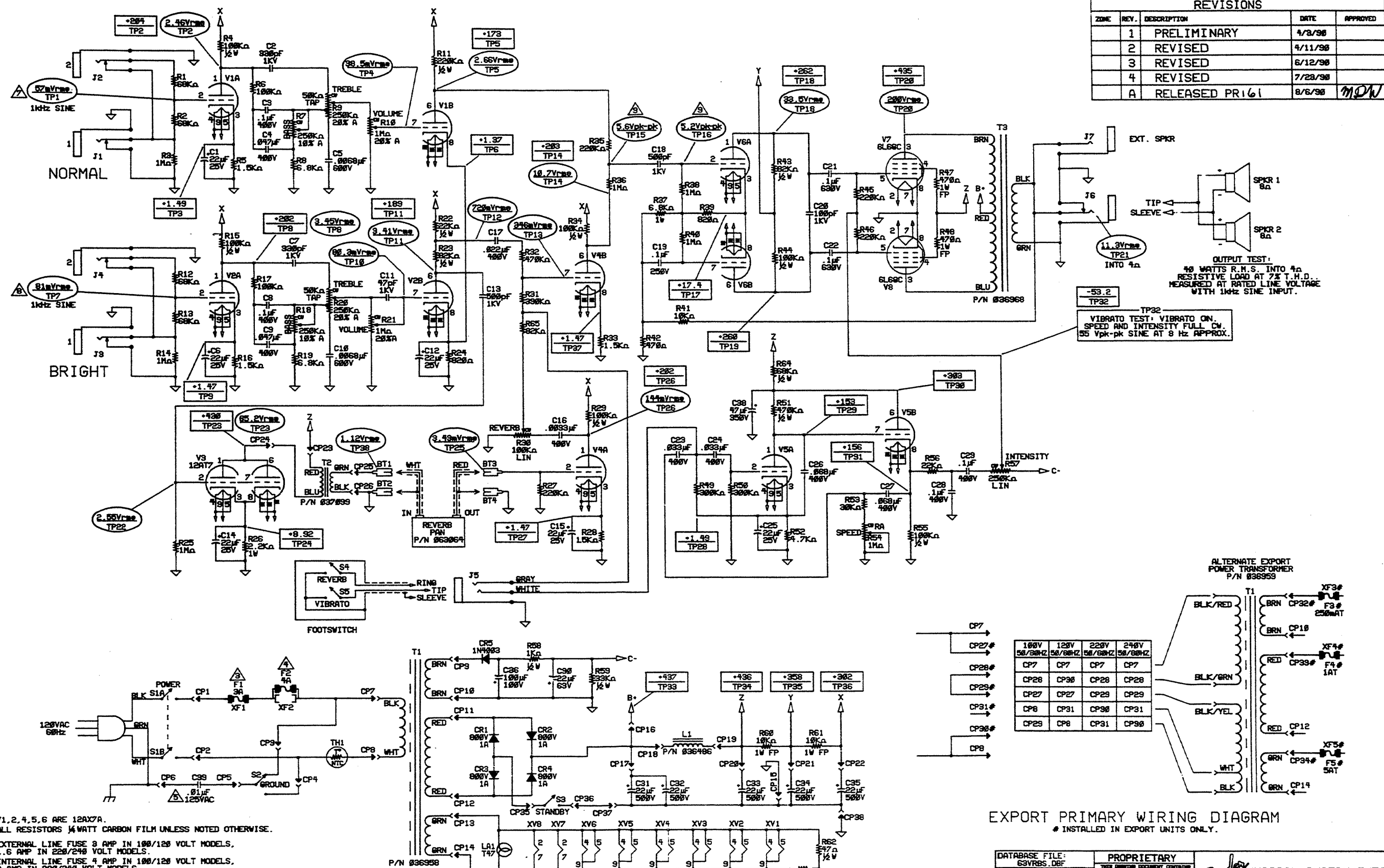
**Fender** MUSICAL INSTRUMENTS  
 1130 Columbia Street  
 Brea, Co. 92621

TITLE: SERVICE DIAGRAM FOR 63 VIBROVERB

|                |                |                        |       |
|----------------|----------------|------------------------|-------|
| SIZE: <b>B</b> | DRAWN: WILKENS | DRAWING NUMBER: 036991 | REV.: |
|                | ENGR: WILKENS  |                        | A     |

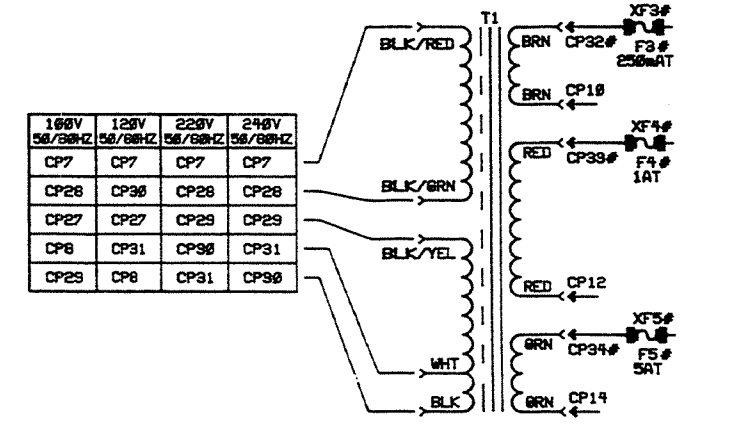
SCALE: NONE DATE: 8/8/90 SHEET 1 OF 1

| REVISIONS |      |                |         |          |
|-----------|------|----------------|---------|----------|
| ZONE      | REV. | DESCRIPTION    | DATE    | APPROVED |
|           | 1    | PRELIMINARY    | 4/3/98  |          |
|           | 2    | REVISED        | 4/11/98 |          |
|           | 3    | REVISED        | 6/12/98 |          |
|           | 4    | REVISED        | 7/23/98 |          |
|           | A    | RELEASED PR161 | 8/6/98  | MDW      |



OUTPUT TEST:  
40 WATTS R.M.S. INTO 4Ω  
RESISTIVE LOAD AT 7% T.H.D.  
MEASURED AT RATED LINE VOLTAGE  
WITH 1kHz SINE INPUT.

VIBRATO TEST: VIBRATO ON.  
SPEED AND INTENSITY FULL CW.  
95 Vpk-pk SINE AT 8 Hz APPROX.



EXPORT PRIMARY WIRING DIAGRAM  
\* INSTALLED IN EXPORT UNITS ONLY.

|   |  |                            |
|---|--|----------------------------|
| DATABASE FILE:<br>63VRS.DBF<br>CHECKED BY: <i>Wilkins</i><br>DATE: 8/15/98<br>APPROVED: <i>Wilkins</i><br>DATE: 8/15/98<br>TOLERANCES:<br>X.X .5%<br>X.XX .1%<br>X.XXX .05%<br>ANGLES .050" | PROPRIETARY<br>THIS DRAWING IS THE PROPERTY OF<br>MUSICAL INSTRUMENTS CO.<br>1138 Columbia Street<br>Brea, Ca. 92621<br>TITLE:<br>SCHEMATIC<br>63 VIBROVERB<br>SIZE: <i>D</i><br>DRAWN: WILKENS<br>CHECKED: WILKENS<br>SCALE: NONE<br>DATE: 8/6/98<br>SHEET 1 OF 1 | PART NO.<br>036992001 OF 1 |
|---|--|----------------------------|

- NOTES:
- V1,2,4,5,6 ARE 12AX7A.
  - ALL RESISTORS 1/4 WATT CARBON FILM UNLESS NOTED OTHERWISE.
  - EXTERNAL LINE FUSE 3 AMP IN 100/120 VOLT MODELS, 1.6 AMP IN 220/240 VOLT MODELS.
  - INTERNAL LINE FUSE 4 AMP IN 100/120 VOLT MODELS, 2 AMP IN 220/240 VOLT MODELS.
  - CP3, 4, 5, 6 AND C88 INSTALLED IN 120V MODELS ONLY. C88 U.L. AND C.S.A. RECOGNIZED.
  - ALL VOLTAGES MEASURED WITH RESPECT TO GROUND USING A DVM OF AT LEAST 1MΩ AC INPUT IMPEDANCE AND OF 10 MΩ DC INPUT IMPEDANCE. VOLTAGES MAY VARY ± 20%. TEST CONDITIONS:  
LINE VOLTAGE AT 120.0 VAC AT 60 Hz.  
REVERB AND VIBRATO OFF.  
ALL VOLUME AND TONE CONTROLS AT 50% ROTATION.  
ALL VOLUME AND TONE CONTROLS AT 50% ROTATION.  
DC VOLTAGES MEASURED WITH NO AC SIGNAL PRESENT.

- AC TEST POINTS TP1,2,4,5 MEASURED WITH NO SIGNAL PRESENT AT THE BRIGHT CHANNEL INPUT. VOLTAGE AT TP1 ADJUSTED TO OBTAIN 11.3 Vrms OUTPUT VOLTAGE (CONSET OF CLIPPING).
- BRIGHT CHANNEL TEST POINTS MEASURED WITH NO SIGNAL PRESENT AT THE NORMAL CHANNEL INPUT. VOLTAGE AT THE BRIGHT CHANNEL INPUT ADJUSTED TO OBTAIN 11.3 Vrms OUTPUT VOLTAGE.
- AC VOLTAGES AT TP15, TP16 MEASURED WITH AN OSCILLOSCOPE USING A X10 PROBE.
- SIX-DIGIT NUMBERS ARE FENDER PART NUMBERS.